

T H E F A L K C O R P O R A T I O N

ORANGE PEEL™ GUARDS

A more practical protective coupling guard



FALK®
a good name in industry



Why "Do it Yourself" When There's Orange Peel!

Just "Trim & Fit" Where its At!

Orange Peel's patented trim-and-fit design revolutionizes equipment guard convenience and value, so you can get the job-site safety you want without the expense and long lead times of custom engineered guards. Because Orange Peel guards are sized to your overall application, they can be installed in 3 easy steps: make 3 simple measurements; using dimensioned trim lines; make quick trim cuts, then simply fit the hardware. In less than an hour, Orange Peel can have you up and running.

Safety Comes First

Orange Peel guards comply with OSHA, ASME and ANSI standards. Very few guards do! Look for a Safety Orange guard, gaps no greater than .250" (6mm) and ANSI Z535.4 compliant warning labels. Plus, our distributors can do a safety assessment to recommend modifications, labeling and retrofits to upgrade your guard safety program.

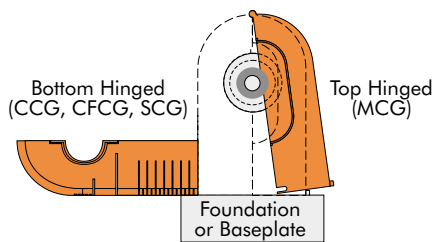


Low Initial Cost

Save more than 50% over custom alternatives, using standard Orange Peel Rotating Shaft Guards.

Maintenance convenience saves time and money

Orange Peel's hinged guards open quickly by removing fasteners



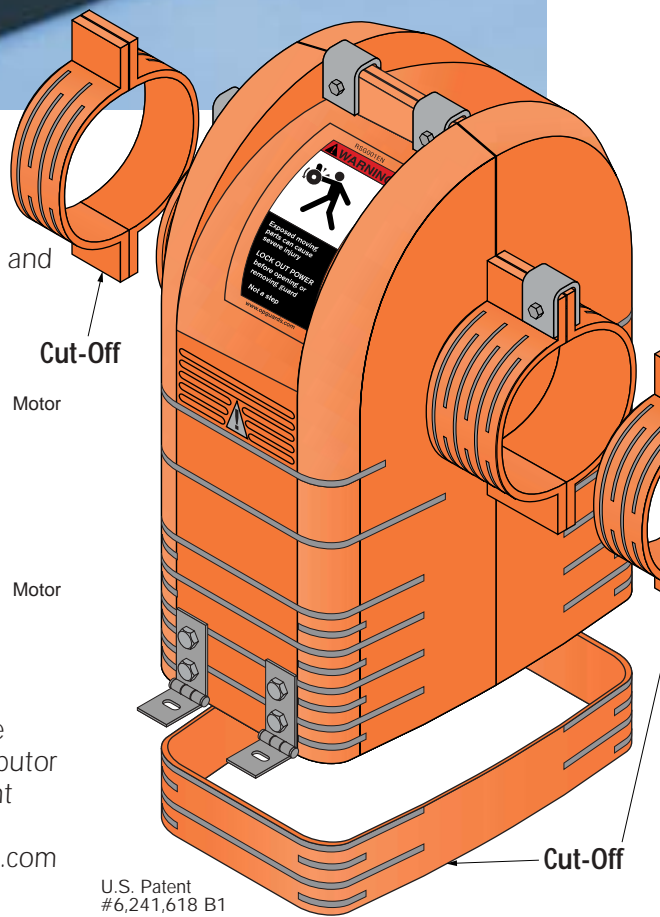
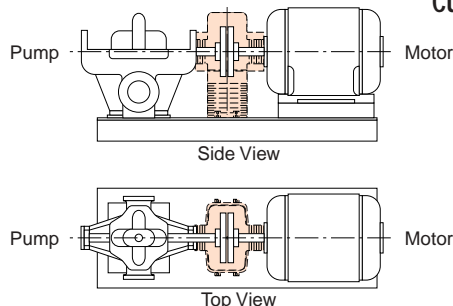
and "peeling" open the guard halves for coupling lubrication, inspection and maintenance.

Type CCG & MCG Never Dent, Rust or Need Painting

High-Impact Polyethylene plastic, the same material used in truck bed



liners, is extremely tough and durable. Supplied in solid Safety Orange, with all stainless steel hardware, Orange Peel guards are ideal for harsh environments and virtually eliminate all guard maintenance.



U.S. Patent #6,241,618 B1

Availability is Now!

Orange Peel guards are available through an extensive local distributor inventory and original equipment manufacturers. Just ask for an Orange Peel! Visit www.falkcorp.com to locate a distributor near you.

Options for High Base-to-Centerline Applications

Just add a pedestal, risers, or a high base to the guard.

Lowest Lifetime Cost

A low initial cost, reduced maintenance costs, superior convenience and assured safety compliance make Orange Peel guards an unbeatable value.

3-Year Heavy-Duty Warranty

Orange Peel is backed by the industry's first standard 3-year warranty, providing full protection.



Orange Peel®
Rotating Shaft Guards

Available in Polyethylene and Metal types!



TYPE MCG POLYETHYLENE GUARDS (LOW COST)

Motor & Gearmotor Coupling Applications
 3 Sizes (05-25) Diameters to 9.63" (245mm)
 NEMA Motors 56-440T, IEC Motors 71-400
 High Impact Polyethylene
 Molded Safety Orange, Yellow, or White
 Stainless Steel Hardware
 Radial Vents
 Molded ANSI Warning Labels
 Optional Risers
 -40° F to 170° F (-40° C to 77° C)
 Hinged Access for Maintenance
 Availability from Stock



TYPE CCG POLYETHYLENE GUARDS

Close Coupled Coupling Applications
 5 sizes (10-50)
 Diameters to 18.5" (470mm)
 High Impact Polyethylene
 Molded Safety Orange
 Stainless Steel Hardware
 Radial Vents
 Standard ANSI Warning Labels
 Optional Pedestal & High Base (30-50)
 -40°F to 170°F (-40°C to 77°C)
 Hinged Access for Maintenance
 Availability from Stock



TYPE CFCG METAL GUARDS

Close Coupled & Fluid Coupling Applications
 5 Sizes (30-70), Diameters to 30" (762mm)
 Steel Body/Aluminum Extensions
 Powder Coated Safety Orange
 Stainless Steel Hardware
 Axial Vents
 Standard ANSI Warning Labels
 Optional Pedestal & High Base
 -40°F to 300°F (-40°C to 149°C)
 Hinged Access for Maintenance
 Availability from Stock



TYPE SCG ALUMINUM GUARDS

Spacer Coupling Applications
 3 Sizes (30-50)
 Diameters to 18.5" (470mm)
 Aluminum Components
 Powder Coated Safety Orange
 Aluminum Hardware
 Radial Vents
 Standard ANSI Warning Labels
 Optional Pedestal & High Base
 -40°F to 300°F (-40°C to 149°C)
 Hinged Access for Maintenance
 Availability from Stock



TYPE VCG CUSTOM METAL GUARDS

All Coupling Applications (Min Qty of 5)
 Diameters to 40" (1 016mm)
 Steel, Stainless Steel, Aluminum
 Round or Slotted Openings
 Optional:
 • Cooling/Inspection Vents
 • Stainless Steel Base Hinges
 • Stainless Steel Locking Hasp(s)
 • ANSI or ISO Safety Labels
 -40°F to 300°F (-40°C to 149°C)
 Made to Order



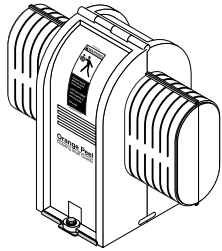
TYPE LSG ALUMINUM GUARDS

Line Shaft Applications
 7 Sizes (10-70)
 Diameters to 15" (381mm)
 Lengths to 96" (2 438mm)
 Aluminum Components
 Optional Galvanized Mounting Legs
 Optional End Caps
 Powder Coated Safety Orange
 Optional ANSI Warning Labels
 -40°F to 300°F (-40°C to 149°C)
 Availability from Stock

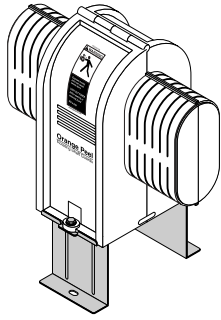


Guard Types and Accessories

Type MCG – Polyethylene Guards

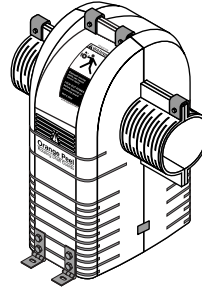


GUARD
Pages 6 & 7

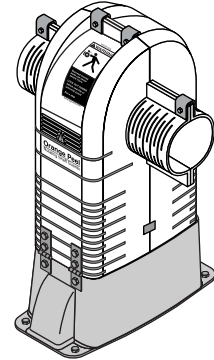


GUARD w/RISER SET
Page 7

Type CCG – Polyethylene Guards

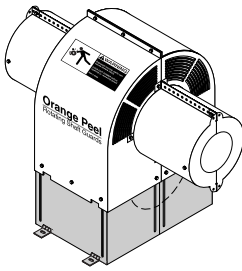


GUARD
Pages 8 & 9

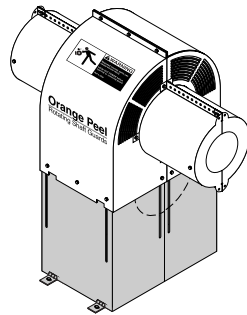


GUARD w/PEDESTAL
Page 9

Type CFCG – Steel/Aluminum Guards

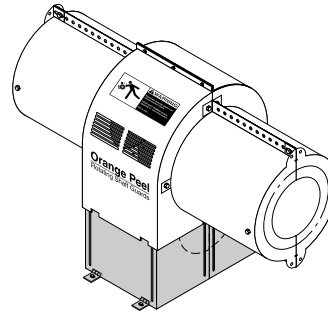


GUARD w/STD. BASE
Pages 10 & 11

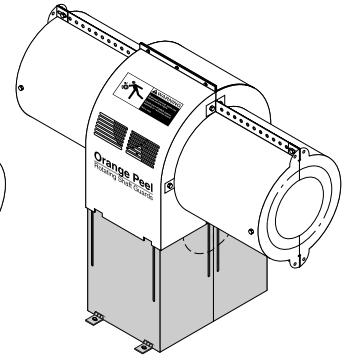


GUARD w/PEDESTAL BASE
Page 11

Type SCG – Aluminum Guards

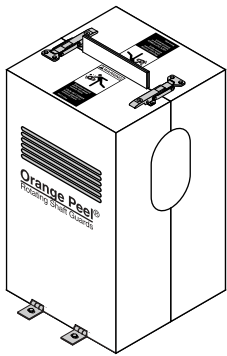


GUARD w/STD. BASE
Pages 12 & 13

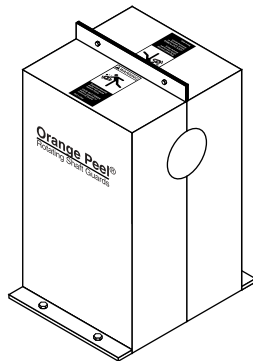


GUARD w/PEDESTAL BASE
Page 13

Type VCG – Custom Metal Guards

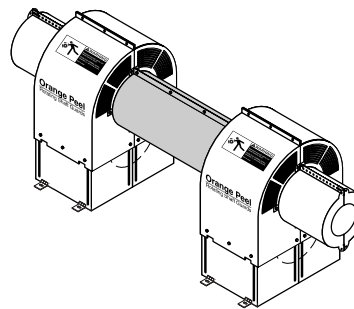


GUARD w/OPTIONS
Page 16



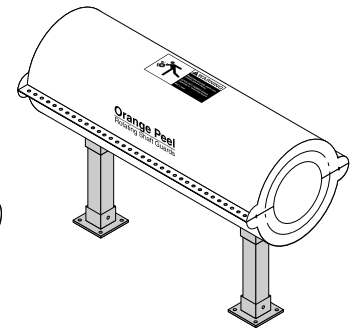
GUARD
Page 16

Type CFCG – Steel/Aluminum Guards



GUARDS w/CENTER MEMBER
Page 11

Type LSG – Aluminum Guards



GUARD w/LEGS
Pages 14 & 15

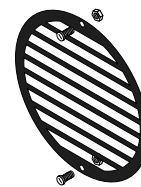
All Types – Safety Labels



ANSI Z535.4
Page 21

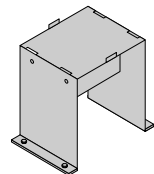
ISO 3864
Page 21

All Types - Stainless Steel



INSPECTION PORT KIT
Page 17

Type CCG/CFCG/SCG Guards – Steel



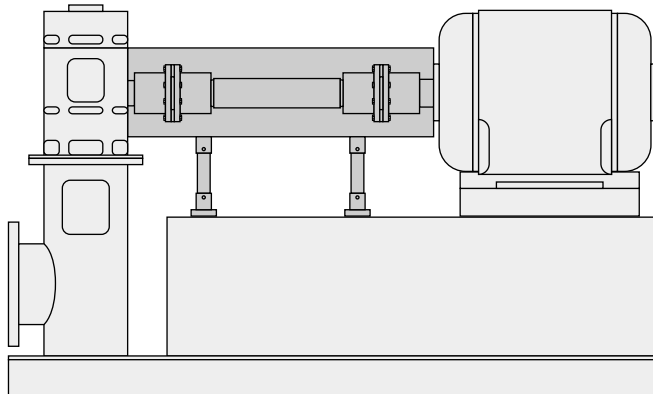
HIGH BASE
Page 17

Selection Guide 111-310, May 2004

Table of Contents

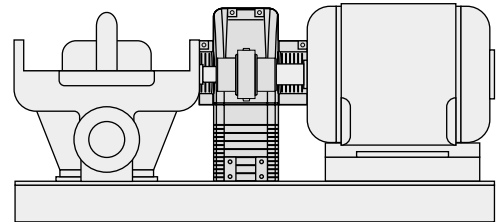
Available Types	4
Guard Assemblies	5
Dimensions & Specifications	
Type MCG Motor (Gearmotor) Coupling Guard	6-7
Type CCG Close-Coupled Coupling Guard	8-9
Type CFCG Close-Coupled/Fluid Coupling Guard	10-11
Type SCG Spacer Coupling Guard	12-13
Type LSG Line Shaft Guard	14-15
Type VCG Volume Custom Guard	16
Guard Options	17
Quick Selections	
Type MCG NEMA Motor Quick Selections	18
Type MCG IEC Motor Quick Selections	19
Type CCG & CFCG Quick Selections	20
Type SCG Quick Selections	21
Safety Labels/Spare Hardware	21
Model-Series Descriptions	22
Orange Peel Guards at Work	23
Headquarters and Global Sales Offices	24

Type LSG with Disc Coupling

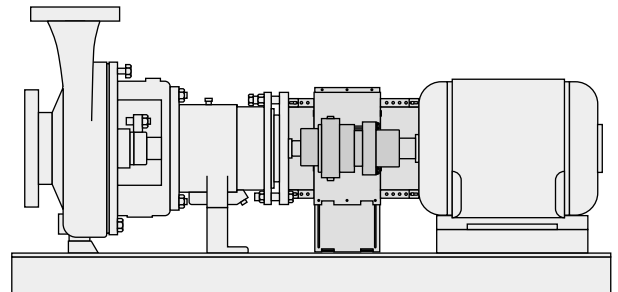


Guard Assemblies

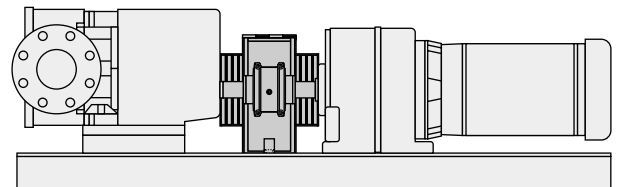
Type CCG with Elastomer Coupling



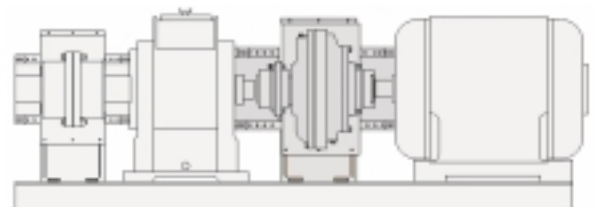
Type SCG with Elastomer Coupling



Type MCG with Grid Coupling



Type CFCG with Fluid & Gear Coupling



Copyright 2003, 2004. The Falk Corporation. All Rights Reserved. Litho in U.S.A. FALK, "a good name in industry", A-PLUS, CLUB GEAR HEAD, FREEDOM, LIFELIGN, OMNIBOX, ORANGE PEEL, QUADRIVE, RAM, SPEED LINE, SPEED QUOTE, STEELFLEX, TRUE HOLD, ULTRAMITE, ULTRAMAX, and WRAPFLEX are registered trademarks. SpeedBuy and Drive One are trademarks of the Falk Corporation. Omega, Lovejoy, Rexnord, Sureflex, Dodge, Paraflex, Flender, Rupex, N-Eupex, and Voith are trademarks of their respective manufacturers.

The contents of this selection guide are subject to change without notice or obligation. Information contained herein should be confirmed before placing orders.

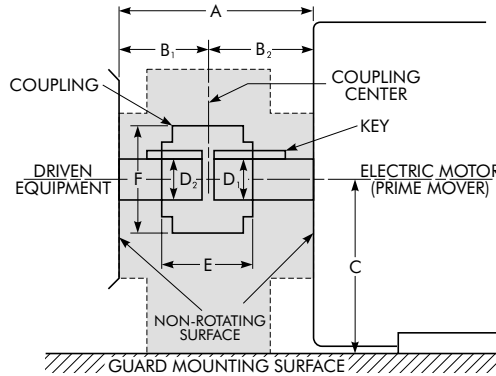
Type MCG Polyethylene Guards

Motor (Gearmotor) Coupling Guard/Selection



1. Determine application dimensions.

- A _____
- B₁ _____ (trimming dimension)
- B₂ _____ (trimming dimension)
- C _____
- D₁ _____
- D₂ _____
- E _____
- F _____
- RPM _____



Considerations:

- Install and operate Orange Peel products in conformance with applicable local and national safety codes, and as stated in the supplied Orange Peel Installation and Maintenance Manual.
- The user must make a determination of guard size and suitability for a specific use (visit www.falkcorp.com/opguards for detailed specifications – guards suitable for non-catastrophic containment). Refer all special requirements to Falk.
- If application dimensions are preliminary, leave allowances in your selection. Maintain design clearances for couplings that are not symmetrical.
- Allowable temperature range is -40°F to 170°F (-40°C to 77°C), up to 200°F (94°C) intermittent.
- Etched safety labels are molded into the guard halves. ANSI Z535.4 (2924286) and ISO 3864 (2924292) safety labels can also be purchased for guard application.
- High vibratory applications may need additional guard support.

2. Compare application dimensions to guard sizing dimensions in the product selection tables. If the application dimension exceeds the sizing dimension, select the next largest size.

See Quick Selection tables on Pages 18 and 19.

Application dimension:

- Select the smallest guard size where application dimension E is less than E_{max}.
- Verify that application Dimension F is less than F_{max}. **Maximum RPM is 3600.**
- Verify that application Dimension A falls between the A_{max} and A_{min}.
- Verify that application Dimensions B₁ and B₂ fall between B_{max} and B_{min}. The coupling guard can be mounted off center, if clearances permit. Coupling hubs can be overhung to increase application Dimension B.
- Verify that application Dimension C falls between C_{max} and C_{min}. If not, verify that application Dimension C is less than C_{max} w/riser, and add appropriate riser to the guard selection. (Part numbers are shown on Page 7.)
- Verify that application Dimensions D₁ and D₂ are less than D_{max} w/key. Coupling hubs can protrude into the guard extensions, if the diameter is less than D_{max} w/o key.

3. Contact a Falk Distributor (locate at www.falkcorp.com) to purchase the selected guard, using the part numbers indicated.

Product Selection Table — Inches

Guard Size	A ★ Max	A † Min	B ★ Max	B † Min	C Max	C Min	C Max with Riser			D Max w/Key	D Max w/o Key	E Max	F Max	ANSI Safety Orange		ISO Safety Yellow		Sanitary White	
														Guard Part No.	Wt lb	Guard Part No.	Wt lb	Guard Part No.	Wt lb
05	8.50	4.00	4.25	2.00	5.25	3.00	6.75	8.25	9.75	1.38	1.75	3.50	4.00	2924200	1.3	2924203	1.3	2924206	1.3
15	12.50	5.81	6.25	2.91	7.50	4.50	9.50	11.50	13.50	2.13	2.63	5.00	6.38	2924201	3.1	2924204	3.1	2924207	3.1
25	18.50	8.38	9.25	4.19	11.50	7.00	14.50	17.50	20.50	3.88	4.88	7.25	9.63	2924202	8.1	2924205	8.1	2924208	8.1

Product Selection Table — Millimeters

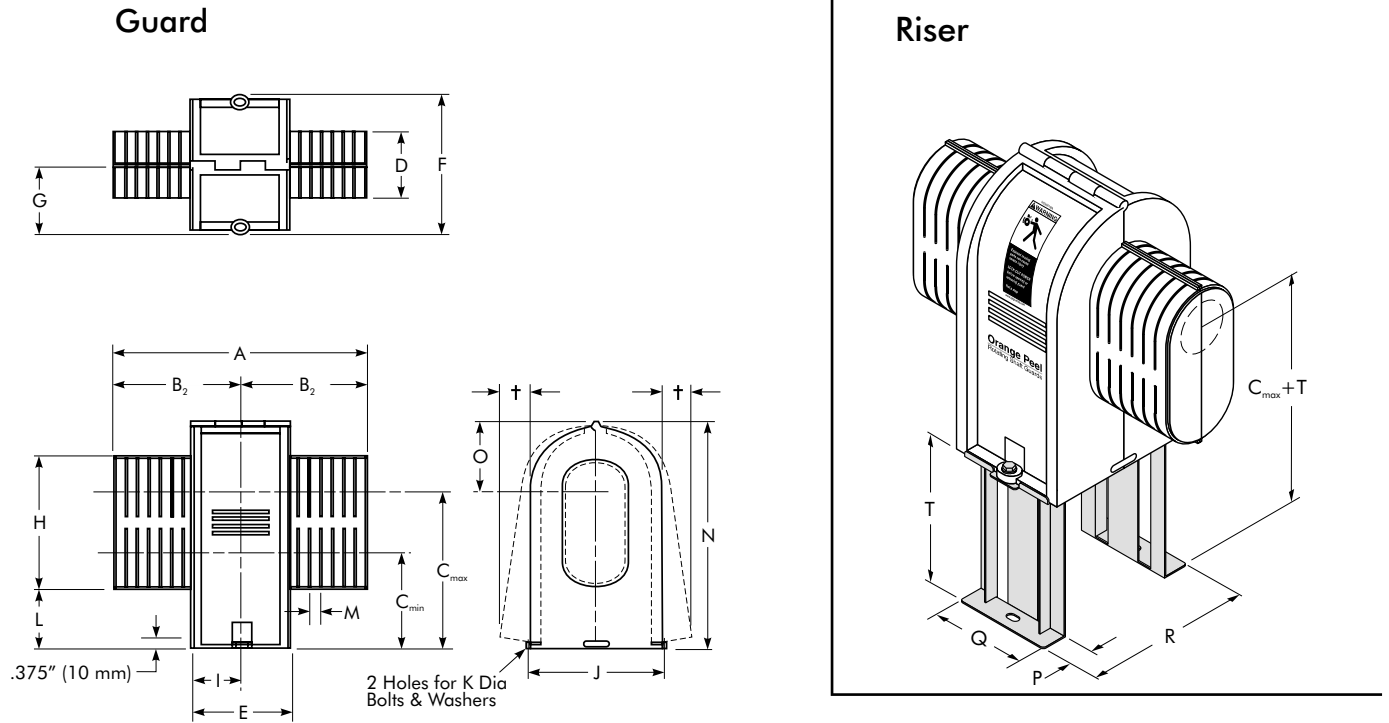
Guard Size	A ★ Max	A † Min	B ★ Max	B † Min	C Max	C Min	C Max with Riser			D Max w/Key	D Max w/o Key	E Max	F Max	ANSI Safety Orange		ISO Safety Yellow		Sanitary White	
														Guard Part No.	Wt kg	Guard Part No.	Wt kg	Guard Part No.	Wt kg
05	216	102	108	51	133	71	171	210	248	38	44	89	102	2924200	0,59	2924203	0,59	2924206	0,59
15	318	148	159	74	191	112	241	292	343	55	67	127	162	2924201	1,41	2924204	1,41	2924207	1,41
25	470	213	235	106	292	178	368	445	521	100	124	184	245	2924202	3,69	2924205	3,69	2924208	3,69

★ Includes maximum allowable gaps.

† Without end caps (with end caps, add .375"/10mm per side, allow .750" hub to machine clearance).

Type MCG Polyethylene Guards

Motor (Gearmotor) Coupling Guard/Selection



Notes:

- Guard includes 2 molded halves, assembled with a 304/A2 SS pin, 4 optional snap-fit end cap halves, (2) 304/A2 SS fender washers and installation manual.
 - Riser mounting slot is in the same location as the guard.
 - Nominal material thickness is .13 in. (3.3mm) Size 05, .16 in. (4.1mm) Size 15, .19 in. (4.8mm) Size 25.
 - Polyethylene guards cannot be painted.
- † Requires a side clearance in each direction for guard removal or installation. Guard bottom can be removed, if mounted on a solid surface.

Optional Riser Set

Guard Size	Height Adder (T)		Part Number		Weight	
	Inch	Millimeter	Steel	304 S.S.	lb	kg
05	1.50	38	2924218	2924227	0.7	0.3
	3.00	76	2924221	2924230	1.0	0.5
	4.50	114	2924224	2924233	1.4	0.6
15	2.00	51	2924219	2924228	0.9	0.4
	4.00	102	2924222	2924231	1.3	0.6
	6.00	152	2924225	2924234	1.9	0.9
25	3.00	76	2924220	2924229	1.8	0.8
	6.00	152	2924223	2924232	2.8	1.3
	9.00	229	2924226	2924235	3.6	1.6

Guard Dimensions — Inches

Guard Size	A	B	C* Max	C Min	C Max+T			D	E	F	G	H	I	J	K	L	M	N	O	P	Q	R
05	8.00	4.00	5.25	3.00	6.75	8.25	9.75	2.75	4.00	7.38	3.69	5.50	2.00	6.00	.31	1.37	.50	8.57	3.32	1.50	4.00	7.44
15	12.00	6.00	7.50	4.50	9.50	11.50	13.50	3.75	5.81	9.94	4.97	7.20	2.91	8.56	.31	2.40	.50	12.02	4.52	1.50	5.81	9.94
25	18.00	9.00	11.50	7.00	14.50	17.50	20.50	6.00	8.38	13.62	6.81	10.63	4.19	12.25	.31	3.94	.50	18.13	6.63	2.00	8.38	12.56

Guard Dimensions — Millimeters

Guard Size	A	B	C* Max	C Min	C Max+T			D	E	F	G	H	I	J	K	L	M	N	O	P	Q	R
05	203	102	133	71	171	210	248	70	102	188	94	140	51	154	8	35	12.5	218	84	38	102	189
15	305	152	191	112	241	292	343	95	148	252	126	183	74	217	8	61	12.5	305	115	38	148	252
25	457	229	292	178	368	445	521	152	213	346	173	270	106	311	8	100	12.5	461	168	51	213	319

★ Add Riser (T), to increase C_{max} dimension.

Product DXF CAD files are available for download at www.falkcorp.com/opguards

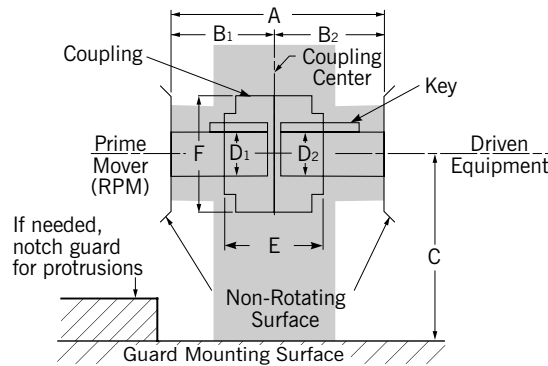
Type CCG Polyethylene Guards

Close-Coupled Coupling Guard/Selection



1. Determine application dimensions.

- A _____
- B₁ _____ (trimming dimension)
- B₂ _____ (trimming dimension)
- C _____ (trimming dimension)
- D₁ _____
- D₂ _____
- E _____
- F _____
- RPM _____



Considerations:

- Install and operate Orange Peel products in conformance with applicable local and national safety codes, and as stated in the supplied Orange Peel Installation and Maintenance Manual.
- The user must make a determination of guard size and suitability for a specific use (visit www.falkcorp.com/opguards for detailed specifications – guards suitable for non-catastrophic containment). Refer all special requirements to Falk.
- If application dimensions are preliminary, leave allowances in your selection. Maintain design clearances for couplings that are not symmetrical.
- Allowable temperature range is -40°F to 170°F (-40°C to 77°C), up to 200°F (94°C) intermittent.
- ANSI Z535.4 English warning labels are supplied as standard. Optional ISO 3864 symbol based safety labels can be supplied, for international (non-U.S.) requirements.
- High vibratory applications may need additional guard support.

2. Compare application dimensions to guard sizing dimensions in the product selection tables. If the application dimension exceeds the sizing dimension, select the next largest size.

See quick selection table on Page 20.

Application dimension:

- Select the smallest guard size where application Dimension E is less than E_{max}.
- Verify that application Dimension F is less than F_{max}
Maximum RPM is 3600.
- Verify that application Dimension A falls between the A_{max} and A_{min}.
- Verify that application Dimensions B₁ and B₂ fall between B_{max} and B_{min}. The coupling guard can be mounted off center, if clearances permit.
- Verify that application Dimension C falls between C_{max} and C_{min}. If not, verify that application Dimension C is less than C_{max} w/pedestal, and add a pedestal to the guard selection.
- Verify that application Dimensions D₁ and D₂ are less than D_{max} w/key. Coupling hubs can protrude into the guard extensions if the diameter is less than D_{max} w/o key.

3. Contact a Falk Distributor (locate at www.falkcorp.com) to purchase the selected guard, using the part numbers indicated.

Product Selection Table — Inches

Guard Size	A ★ Max	A † Min	B ★ Max	B † Min	C Max	C Min	C Max w/Ped	D Max w/Key	D Max w/o Key	E Max	F Max	Guard		Pedestal	
												Part No.	Wt lb	Part No.	Wt lb
10	9.50	4.00	4.75	2.00	8.00	3.00	13.00	1.63	2.00	3.50	5.00	2923200	3.0	2923205	1.5
20	12.50	5.50	6.25	2.75	11.00	3.00	17.00	2.13	2.63	5.00	7.50	2923201	4.5	2923206	2.0
30	18.50	8.00	9.25	4.00	13.50	4.00	20.50	3.00	3.63	7.00	11.00	2923202	11.0	2923207	3.5
40	23.50	10.50	11.75	5.25	16.50	4.50	24.50	4.00	4.50	9.50	14.50	2923203	18.0	2923208	7.0
50	27.50	13.25	13.75	6.63	19.50	5.25	28.50	5.00	6.00	12.25	18.50	2923204	23.5	2923209	11.5

Product Selection Table — Millimeters

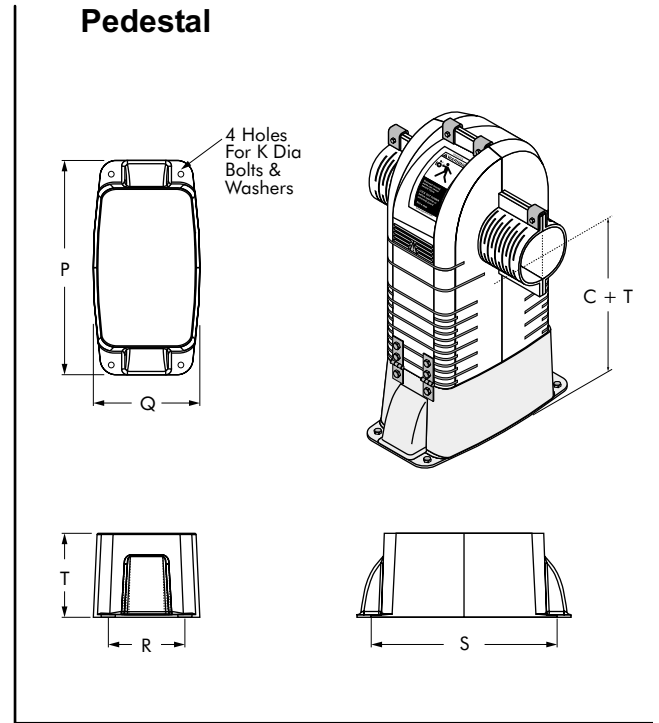
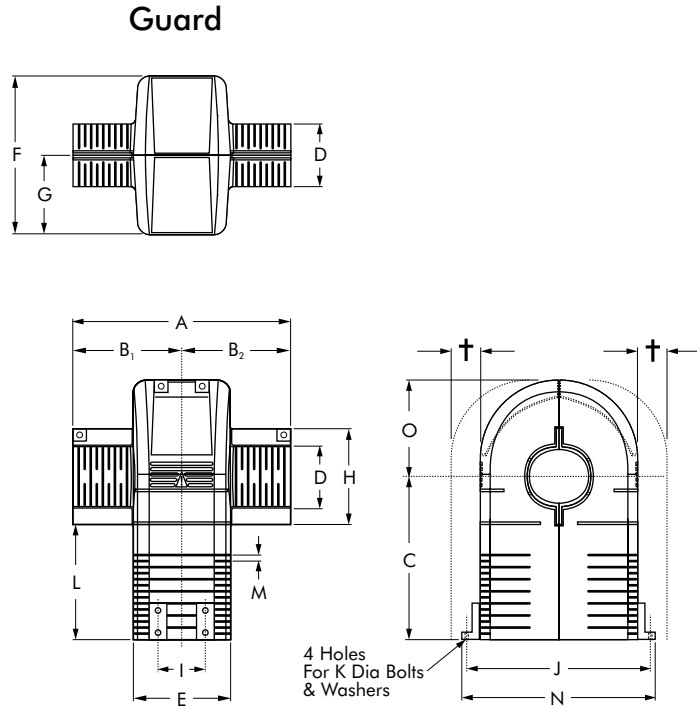
Guard Size	A ★ Max	A † Min	B ★ Max	B † Min	C Max	C Min	C Max w/Ped	D Max w/Key	D Max w/o Key	E Max	F Max	Guard		Pedestal	
												Part No.	Wt kg	Part No.	Wt kg
10	241	102	121	51	203	76	330	41	51	89	127	2923200	1,4	2923205	0,7
20	318	140	159	70	279	76	432	54	67	127	191	2923201	2,0	2923206	0,9
30	470	203	235	102	343	102	521	76	92	178	279	2923202	5,0	2923207	1,6
40	597	267	298	133	419	114	622	102	114	241	368	2923203	8,2	2923208	3,2
50	699	337	349	168	495	133	724	127	152	311	470	2923204	10,7	2923209	5,2

★ Includes maximum allowable gaps.

† Verify that the coupling doesn't interfere with the foundation.

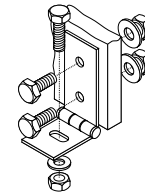
Type CCG Polyethylene Guards

Close-Coupled Coupling Guard/Selection

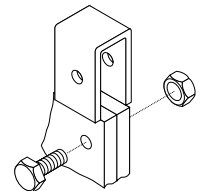


Notes:

- Extension clips are not required for B₁/B₂ minimum condition. Maintain a minimum of 3 clips, Sizes 30-50.
 - Nominal material thickness is .13 in. (3.3mm) Size 10, .19 in. (4.8mm) Size 20/30, .250 in. (6.4mm) Size 40/50.
 - Polyethylene guards cannot be painted.
- † Requires a minimum 1/2 shaft dia. clearance in each direction for guard removal or installation.



HINGE DETAIL



CLIP DETAIL

Guard Dimensions — Inches

Guard Size	A	B	C	C + T	D	E	F	G	H	I	J	K	L	M	N*	O	P	Q	R	S	T
10	9.00	4.50	8.00	13.00	3.00	4.00	6.50	3.25	5.00	1.25	8.15	0.25	5.50	.50	9.00	4.25	9.00	4.75	3.00	8.00	5.00
20	12.00	6.00	11.00	17.00	4.00	5.50	9.50	4.75	6.00	1.25	11.15	0.25	8.00	.50	12.00	5.75	12.25	6.13	4.50	11.25	6.00
30	18.00	9.00	13.50	20.50	5.00	8.00	13.25	6.63	8.00	3.88	15.50	0.31	9.50	.50	16.75	8.00	18.00	9.00	5.50	15.50	7.00
40	23.00	11.50	16.50	24.50	6.00	10.50	17.00	8.50	9.00	6.00	19.25	0.31	12.00	.50	20.50	10.00	21.50	12.00	8.00	19.50	8.00
50	27.00	13.50	19.50	28.50	7.50	13.25	21.00	10.50	10.50	7.38	23.25	0.31	14.25	.50	24.50	12.00	26.50	14.50	10.00	24.50	9.00

Guard Dimensions — Millimeters

Guard Size	A	B	C	C + T	D	E	F	G	H	I	J	K	L	M	N*	O	P	Q	R	S	T
10	229	114	203	330	76	102	165	83	127	32	207	6	140	12.5	229	108	229	121	76	203	127
20	305	152	279	432	102	140	241	121	152	32	283	6	203	12.5	305	146	311	156	114	286	152
30	457	229	343	521	127	203	337	168	203	99	394	8	241	12.5	425	203	457	229	140	394	178
40	584	292	419	622	152	267	432	216	229	152	489	8	305	12.5	521	254	546	305	203	495	203
50	686	343	495	724	191	337	533	267	267	187	591	8	362	12.5	622	305	673	368	254	622	229

* Hinges can be reverse mounted to minimize this dimension.

Product DXF CAD files are available for download at www.falkcorp.com/opguards

Type CFCG Metal Guards

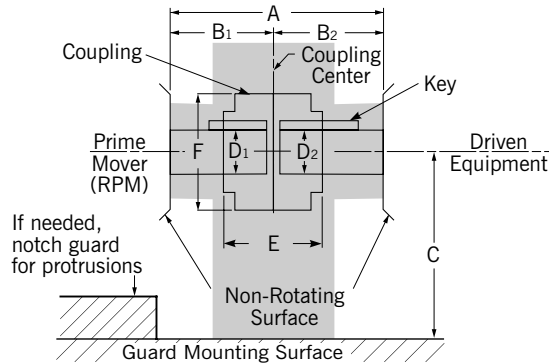
Close-Coupled/Fluid Coupling Guard/Selection

1. Determine application dimensions.

- A _____
- B₁ _____ (trimming dimension)
- B₂ _____ (trimming dimension)
- C _____ (adjustment dimension)
- D₁ _____
- D₂ _____
- E _____
- F _____
- RPM _____

Considerations:

- Install and operate Orange Peel products in conformance with applicable local and national safety codes, and as stated in the supplied Orange Peel Installation and Maintenance Manual.
- The user must make a determination of guard size and suitability for a specific use (visit www.falkcorp.com/opguards for detailed specifications – guards suitable for non-catastrophic containment). Refer all special requirements to Falk.
- If application dimensions are preliminary, leave allowances in your selection. Maintain design clearances for couplings that are not symmetrical.
- Allowable temperature range is -40°F to 300°F (-40°C to 149°C)
- ANSI Z535.4 English warning labels are supplied as standard. Optional ISO 3864 symbol based safety labels can be supplied, for international (non-U.S.) requirements.
- High vibratory applications may need additional guard support.



2. Compare application dimensions to guard sizing dimensions in the product selection tables. If the application dimension exceeds the sizing dimension, select the next largest size.

See quick selection table on Page 20.

Application dimension:

- Select the smallest guard size where application Dimension E is less than E_{max}.
- Verify that application Dimension F is less than F_{max}. **Maximum RPM is 3600.**
- Verify that application Dimension A falls between the A_{max} and A_{min}.
- Verify that application Dimensions B₁ and B₂ fall between B_{max} and B_{min}. The coupling guard can be mounted off center, if clearances permit.
- Verify that application Dimension C falls between C_{max} and C_{min}. If not, verify that application Dimension C is less than C_{max} w/pedestal, and add a pedestal to the guard selection. Contact Falk for high base option.
- Verify that application Dimensions D₁ and D₂ are less than D_{max} w/key. Coupling hubs can protrude into the guard extensions if the diameter is less than D_{max} w/o key.

3. Contact a Falk Distributor (locate at www.falkcorp.com) to purchase the selected guard using the part numbers indicated. Complete CFCG Guard Assembly = 1 Guard Body + 1 Base (Standard or Pedestal) + 0, 1 or 2 Extensions (as required).

Product Selection Table — Inches

Guard Size	A* Max	A Min	B* Max	B Min	C Max	C Min	C†	C Max w/Ped	D Max w/Key	D Max w/o Key	E Max	F Max	Guard Body Part No.	Wt lb	Std Base Part No.	Wt lb	Ext w/Cap Part No.	Wt lb	Ped Base Part No.	Wt lb
30	22.50	8.00	11.25	4.00	13.50	7.50	8.00	19.50	4.50	5.50	6.50	11.00	2923600	8	2923606	6	2923612	4	2923618	11
40	29.00	10.50	14.50	5.25	16.50	9.00	10.75	24.00	6.00	7.50	9.00	14.50	2923601	17	2923607	11	2923613	6	2923619	20
50	35.75	13.25	17.88	6.63	19.50	10.50	12.50	28.50	7.75	9.50	11.25	18.50	2923602	31	2923608	18	2923614	8	2923620	34
60	44.50	18.00	22.25	9.00	22.00	12.00	14.50	32.00	9.50	11.50	16.00	22.00	2923603	58	2923609	30	2923615	11	2923621	59
70	56.50	23.00	28.25	11.50	24.50	13.50	18.50	35.50	12.00	15.00	21.00	30.00	2923604	114	2923610	56	2923616	18	2923622	109

Product Selection Table — Millimeters

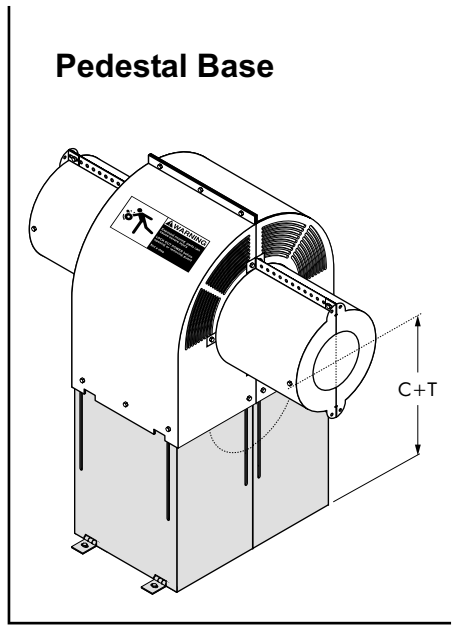
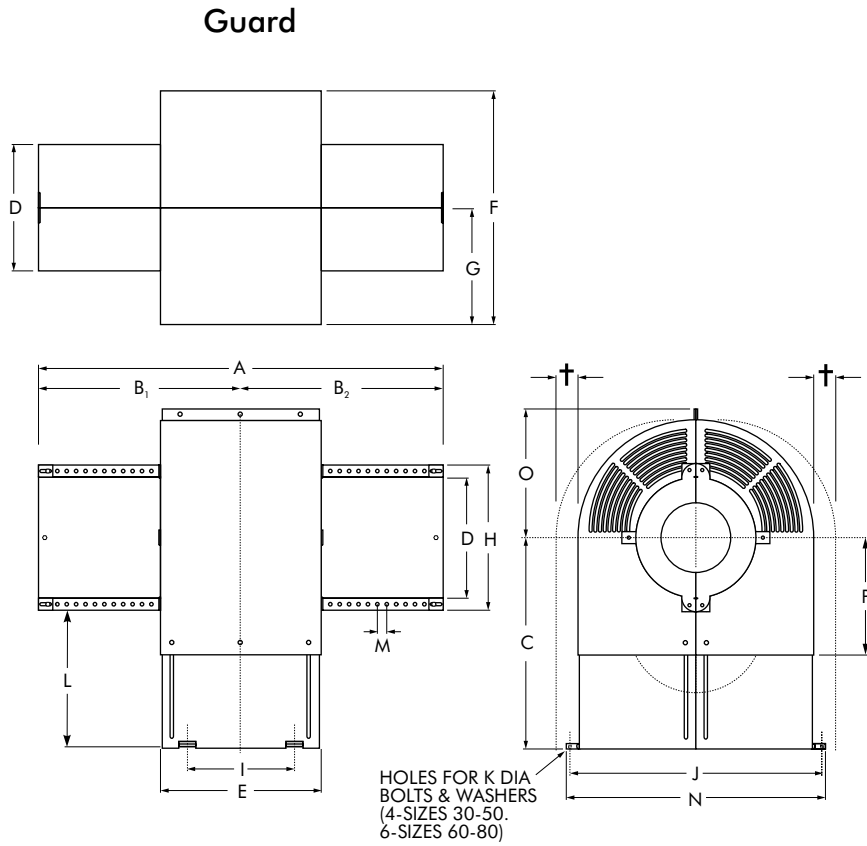
Guard Size	A* Max	A Min	B* Max	B Min	C Max	C Min	C†	C Max w/Ped	D Max w/Key	D Max w/o Key	E Max	F Max	Guard Body Part No.	Wt kg	Std Base Part No.	Wt kg	Ext w/Cap Part No.	Wt kg	Ped Base Part No.	Wt kg
30	572	203	286	102	343	191	203	495	114	140	165	279	2923600	4	2923606	3	2923612	2	2923618	5
40	737	267	368	133	419	229	273	610	152	191	229	368	2923601	8	2923607	5	2923613	3	2923619	9
50	908	337	454	168	495	267	312	724	197	241	286	470	2923602	14	2923608	8	2923614	4	2923620	15
60	1130	457	565	229	559	305	368	813	241	292	406	559	2923603	26	2923609	14	2923615	5	2923621	27
70	1435	584	718	292	622	343	470	902	305	381	533	762	2923604	52	2923610	25	2923616	8	2923622	49

* Includes maximum allowable gaps.

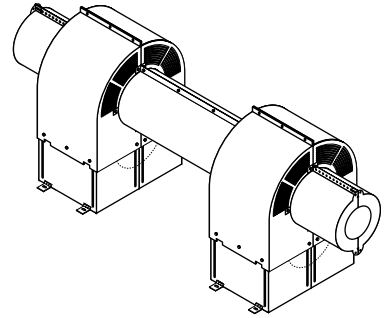
† Minimum C dimension, at D_{max} w/o key, to fully open guard halves.

Type CFCG Metal Guards

Close-Coupled/Fluid Coupling Guard/Selection



- Custom Options**
- Floating and Universal shaft guards: Add appropriate length Type LSG section and center member bracket kit part number 2924273.



- Notes:
- Nominal material thickness is .075" (1.91mm) Size 30-50, .105" (2.67mm) Size 60-80.
 - Powder coated guards can be painted.
 - Sizes 30-50 have two hinges per side. Sizes 60 and 70 have three hinges per side, center hinge is at the guard mid point.
 - † Requires a minimum 1/2 shaft dia. clearance in each direction for guard removal or installation.

Guard Dimensions — Inches

Guard Size	A	B	C	C + T	D	E	F	G	H	I*	J	K	L	M	N	O	P	T
30	22.00	11.00	13.50	19.50	7.00	8.00	13.88	6.94	10.00	3.88	15.50	.31	8.50	1.00	16.98	8.44	7.50	6.00
40	28.50	14.25	16.50	24.00	9.00	10.50	17.63	8.82	12.00	6.00	19.25	.31	10.50	1.00	20.73	10.32	9.00	7.50
50	35.25	17.63	19.50	28.50	11.00	13.25	21.63	10.82	14.00	7.38	23.25	.31	12.50	1.00	24.73	12.32	10.50	9.00
60	44.00	22.00	22.00	32.00	13.00	18.00	25.00	12.50	16.00	6.20	26.85	.31	14.00	1.00	28.04	14.00	12.00	10.00
70	56.00	28.00	24.50	35.50	16.50	23.00	33.00	16.50	19.50	8.63	34.85	.31	14.75	1.00	36.04	18.00	13.50	11.00

Guard Dimensions — Millimeters

Guard Size	A	B	C	C + T	D	E	F	G	H	I*	J	K	L	M	N	O	P	T
30	559	279	343	495	178	203	353	176	254	99	394	8	216	25	431	214	191	152
40	724	362	419	610	229	267	448	224	305	152	489	8	267	25	527	262	229	191
50	895	448	495	724	279	337	549	275	356	187	591	8	318	25	628	313	267	229
60	1118	559	559	813	330	457	635	318	406	165	682	8	356	25	712	356	305	254
70	1422	711	622	902	419	584	838	419	495	229	885	8	375	25	915	457	343	279

* I is the distance between hinge centers (Sizes 30-50 have two hinges per side. Sizes 60 and 70 have 3 hinges per side, with the center hinge at the guard mid point).

Product DXF CAD files are available for download at www.falkcorp.com/opguards

Type SCG Aluminum Guards

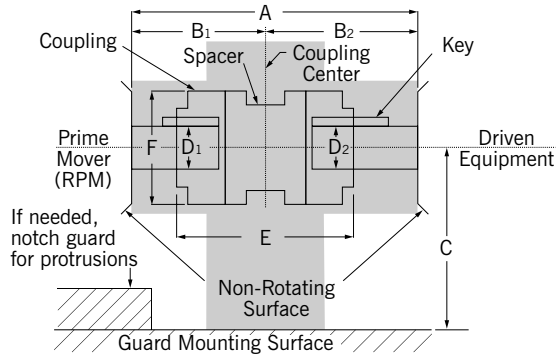
Spacer Coupling Guard/Selection

1. Determine application dimensions.

- A _____
- B₁ _____ (trimming dimension)
- B₂ _____ (trimming dimension)
- C _____ (adjustment dimension)
- D₁ _____
- D₂ _____
- E _____
- F _____
- RPM _____

Considerations:

- Install and operate Orange Peel products in conformance with applicable local and national safety codes, and as stated in the supplied Orange Peel Installation and Maintenance Manual.
- The user must make a determination of guard size and suitability for a specific use (visit www.falkcorp.com/opguards for detailed specifications – guards suitable for non-catastrophic containment). Refer all special requirements to Falk.
- If application dimensions are preliminary, leave allowances in your selection. Maintain design clearances for couplings that are not symmetrical.
- Allowable temperature range is -40°F to 300°F (-40°C to 149°C)
- ANSI Z535.4 English warning labels are supplied as standard. Optional ISO 3864 symbol based safety labels can be supplied, for international (non-U.S.) requirements.
- High vibratory applications may need additional guard support.
- Aluminum guards and fasteners are non-sparking (hinges are stainless steel).



2. Compare application dimensions to guard sizing dimensions in the product selection tables. If the application dimension exceeds the sizing dimension, select the next largest size.

See quick selection table on Page 21.

Application dimension:

- Select the smallest guard where application dimension F is less than F_{max}, at E_{max} width, or less than D_{max} w/o key. **Maximum RPM is 3600.** Contact Falk for higher speeds.
 - Verify that application Dimension A falls between the A_{max} and A_{min}.
 - Verify that application Dimensions B₁ and B₂ fall between B_{max} and B_{min}. The coupling guard can be mounted off center, if clearances permit.
 - Verify that application Dimension C falls between C_{max} and C_{min}. If not, verify that application Dimension C is less than C_{max} w/pedestal, and add a pedestal to the guard selection. Contact Falk for high base option.
 - Verify that application Dimensions D₁ and D₂ are less than D_{max} w/key.
3. Contact a Falk Distributor (locate at www.falkcorp.com) to purchase the selected guard using the part numbers indicated. Complete SCG Guard Assembly = 1 Guard Body + 1 Base (Standard or Pedestal) + 2 Extensions.

Product Selection Table — Inches

Guard Size	A ★ Max	A Min	B ★ Max	B Min	C Max	C Min	C †	C Max w/Ped	D Max w/key	D Max w/o key	E Max	F Max	Guard Body Part No.	Wt lb	Std Base Part No.	Wt lb	Ext w/Cap Part No.	Wt lb	Ped Base Part No.	Wt lb
30	30.50	8.00	15.25	4.00	13.50	7.50	10.50	19.50	7.75	9.50	6.50	11.00	2924242	8	2924245	6	2923614	8	2924248	11
40	37.00	10.50	18.50	5.25	16.50	9.00	13.00	24.00	9.50	11.50	9.00	14.50	2924243	17	2924246	11	2923615	11	2924249	20
50	46.75	13.25	23.38	6.63	19.50	10.50	19.00	28.50	13.00	15.00	11.25	18.50	2924244	31	2924247	18	2923616	18	2924250	34

Product Selection Table — Millimeters

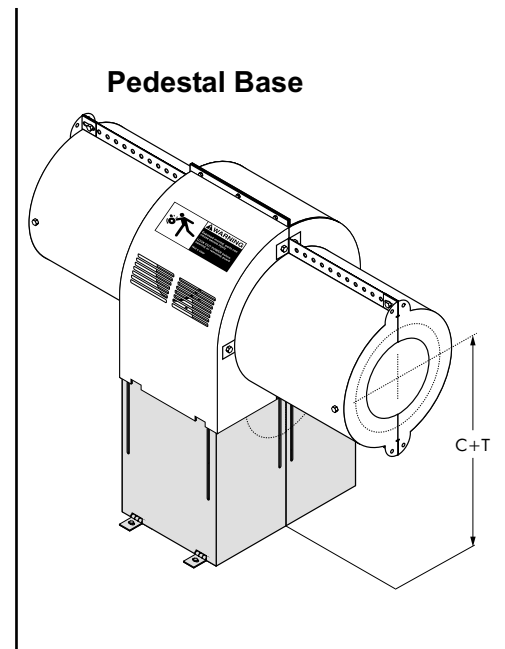
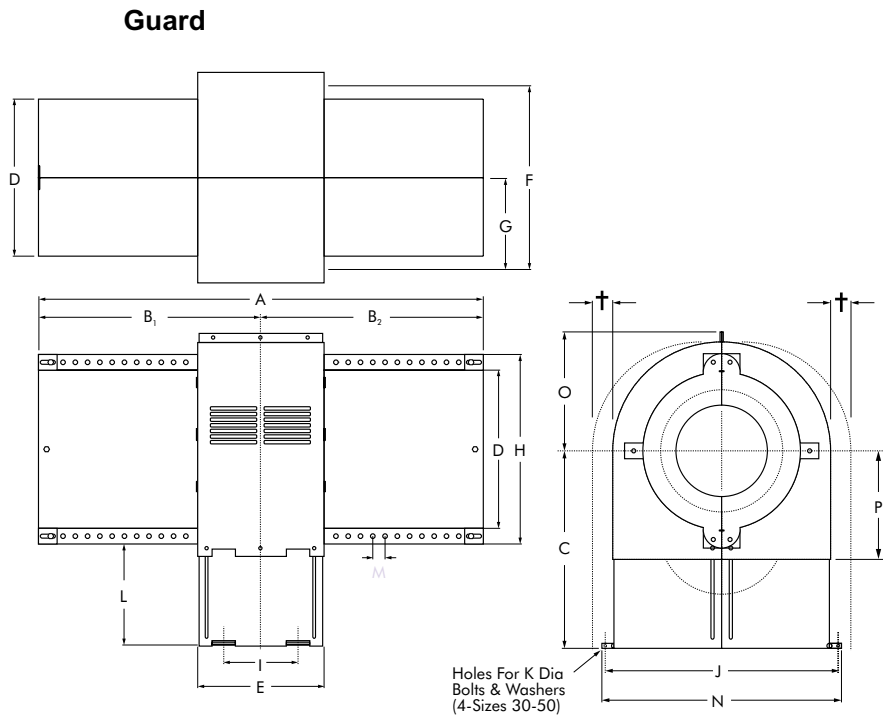
Guard Size	A ★ Max	A Min	B ★ Max	B Min	C Max	C Min	C †	C Max w/Ped	D Max w/key	D Max w/o key	E Max	F Max	Guard Body Part No.	Wt kg	Std Base Part No.	Wt kg	Ext w/Cap Part No.	Wt kg	Ped Base Part No.	Wt kg
30	775	203	387	102	343	191	267	495	197	241	165	279	2924242	4	2924245	3	2923614	4	2924248	5
40	940	267	470	133	419	229	330	610	241	292	229	368	2924243	8	2924246	5	2923615	5	2924249	9
50	1187	337	594	168	495	267	483	724	330	381	286	470	2924244	14	2924247	8	2923616	8	2924250	15

★ Includes maximum allowable gaps.

† Minimum C dimension, at D_{max} w/o key, to fully open guard halves.

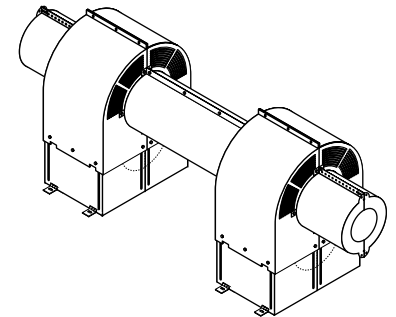
Type SCG Aluminum Guards

Spacer Coupling Guard/Dimensions



Custom Options

- Floating and Universal shaft guards: Add appropriate length Type LSG section and center member bracket kit part number 2924273.



Notes:

- Non-sparking aluminum components and fasteners (hinges are stainless steel)
 - Nominal material thickness is .075" (1.91mm) Sizes 30–50
 - Powder coated guards can be painted.
 - Sizes 30–50 have 2 hinges per side.
- † Requires a minimum 1/2 shaft dia. clearance in each direction for guard removal or installation.

Guard Dimensions — Inches

Guard Size	A	B	C	C + T	D	E	F	G	H	I	J	K	L	M	N	O	P	T
30	30.00	15.00	13.50	19.50	11.00	8.00	13.88	6.94	14.00	3.88	15.50	.31	6.50	1.00	16.98	8.44	7.50	6.00
40	36.50	18.25	16.50	24.00	13.00	10.50	17.63	8.82	16.00	6.00	19.25	.31	8.50	1.00	20.73	10.32	9.00	7.50
50	46.25	23.13	19.50	28.50	16.50	13.25	21.63	10.82	19.50	7.38	23.25	.31	8.50	1.00	24.73	12.32	10.50	9.00

Guard Dimensions — Millimeters

Guard Size	A	B	C	C + T	D	E	F	G	H	I	J	K	L	M	N	O	P	T
30	762	381	343	495	279	203	353	176	356	99	394	8	165	25	431	214	191	152
40	927	464	419	610	330	267	448	224	406	152	489	8	216	25	527	262	229	191
50	1175	588	495	724	419	337	549	275	495	187	591	8	216	25	628	313	267	229

Product DXF CAD files are available for download at www.falkcorp.com/opguards

Type LSG Aluminum Guards

Line Shaft Guard/Selection

1. Determine application dimensions.

A _____ (trimming dimension)

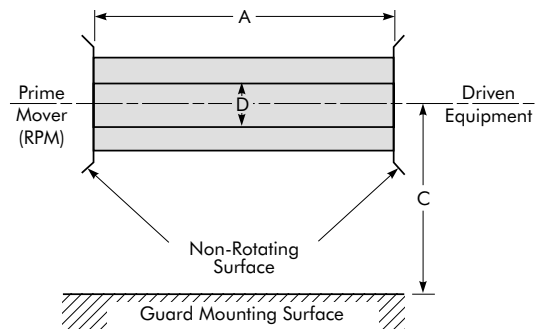
C _____ (trimming dimension)

D _____

RPM _____

Considerations:

- Install and operate Orange Peel products in conformance with applicable local and national safety codes, and as stated in the supplied Orange Peel Installation and Maintenance Manual.
- The user must make a determination of guard size and suitability for a specific use (visit www.falkcorp.com/opguards for detailed specifications – guards suitable for non-catastrophic containment). Refer all special requirements to Falk.
- If application dimensions are preliminary, leave allowances in your selection. Maintain design clearances for couplings that are not symmetrical.
- Allowable temperature range is -40°F to 300°F (-40°C to 149°C)
- ANSI Z535.4 English warning labels are supplied as standard. Optional ISO 3864 symbol based safety labels can be supplied, for international (non-U.S.) requirements.
- High vibratory applications may need additional guard support.
- Aluminum guards and fasteners are non-sparking (leg kits are galvanized steel).



2. Compare application dimensions to guard sizing dimensions in the product selection tables. If the application dimension exceeds the sizing dimension, select the next largest size.

Application dimension:

- Select the smallest guard where application Dimension D is less than D_{max} . **Maximum RPM is 3600.**
 - Verify that application Dimension A is less than A_{max} .
 - Determine if guard will be equipment or base mounted.
 - Verify that application Dimension C falls between C_{min} and C_{max} , if the guard is mounted with the optional leg kit.
3. Contact a Falk Distributor (locate at www.falkcorp.com) to purchase the selected guard length using the part numbers indicated. Complete LSG Guard Assembly = 2 Guard Halves + Optional End Cap/s and/or Optional Leg Kit/s. The CFCG center member brackets are used with CFCG guard assemblies.

Product Selection Table — Inches

Guard Size	A ★ Max	C †		D max w/o Key	Guard Half Part Numbers					End Cap		Leg Kit		CFCG CM Brkt		
		Max	Min		96 Inch	Wt lb	48 Inch	Wt lb	24 Inch	Wt lb	Part No.	Wt lb	Part No.	Wt lb	Part No.	Wt lb
10	96.50	37.50	9.00	1.75	2924251	6.9	2924258	3.5	2924265	1.7	2924274	0.1	2924272	11.9	2924273	1.2
20	96.50	38.50	10.00	3.50	2924252	10.1	2924259	5.1	2924266	2.5	2924275	0.2	2924272	11.9	2924273	1.2
30	96.50	39.50	11.00	5.50	2924253	14.3	2924260	7.2	2924267	3.6	2924276	0.3	2924272	11.9	2924273	1.2
40	96.50	40.50	12.00	7.50	2924254	17.6	2924261	8.8	2924268	4.4	2924277	0.4	2924272	11.9	2924273	1.2
50	96.50	41.50	13.00	9.50	2924255	20.8	2924262	10.4	2924269	5.2	2924278	0.5	2924272	11.9	2924273	1.2
60	96.50	42.50	14.00	11.50	2924256	24.0	2924263	12.0	2924270	6.0	2924279	0.7	2924272	11.9	2924273	1.2
70	96.50	44.25	15.75	15.00	2924257	29.6	2924264	14.8	2924271	7.4	2924280	0.9	2924272	11.9	2924273	1.2

Product Selection Table — Millimeters

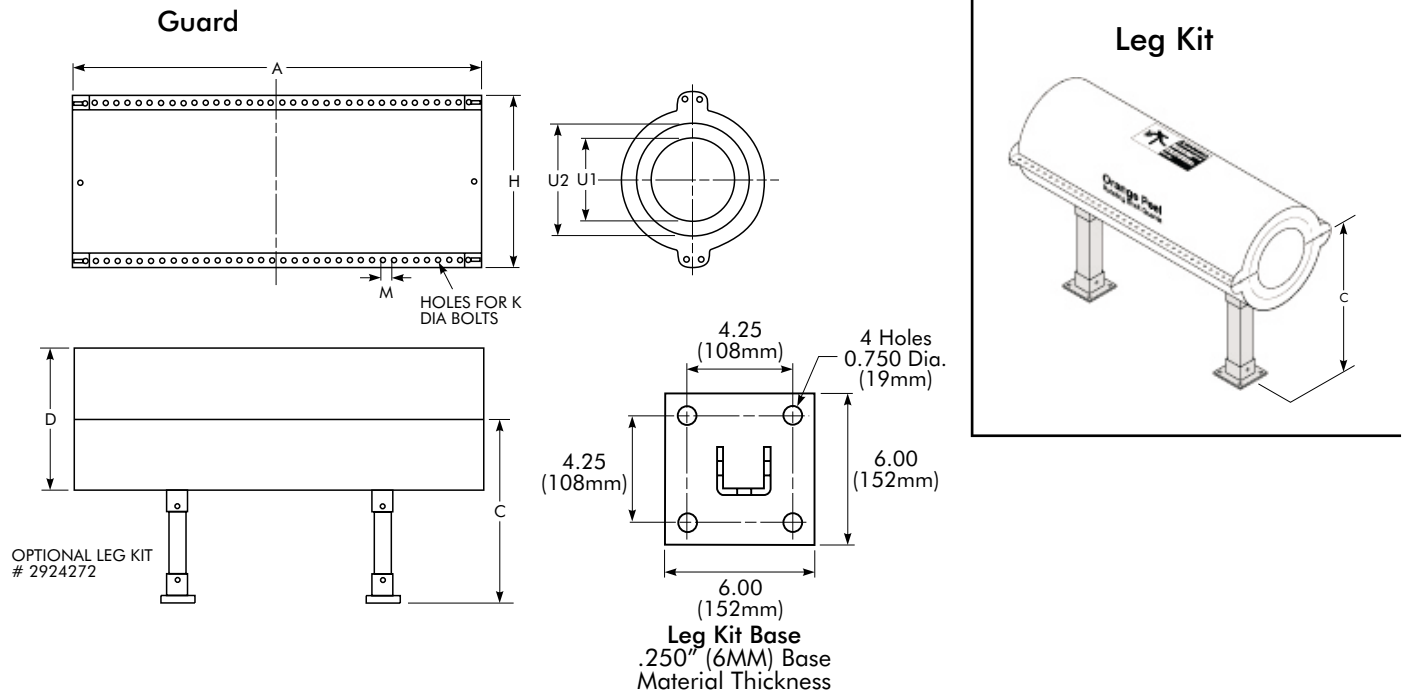
Guard Size	A ★ Max	C †		D max w/o Key	Guard Half Part Numbers					End Cap		Leg Kit		CFCG CM Brkt		
		Max	Min		2438 mm	Wt kg	1219 mm	Wt kg	610 mm	Wt kg	Part No.	Wt kg	Part No.	Wt kg	Part No.	Wt kg
10	2451	953	229	44	2924251	3,1	2924258	1,6	2924265	0,8	2924274	0,0	2924272	5,4	2924273	0,5
20	2451	978	254	89	2924252	4,6	2924259	2,3	2924266	1,1	2924275	0,1	2924272	5,4	2924273	0,5
30	2451	1003	279	140	2924253	6,5	2924260	3,2	2924267	1,6	2924276	0,1	2924272	5,4	2924273	0,5
40	2451	1029	305	191	2924254	8,0	2924261	4,0	2924268	2,0	2924277	0,2	2924272	5,4	2924273	0,5
50	2451	1054	330	241	2924255	9,4	2924262	4,7	2924269	2,4	2924278	0,2	2924272	5,4	2924273	0,5
60	2451	1080	356	292	2924256	10,9	2924263	5,4	2924270	2,7	2924279	0,3	2924272	5,4	2924273	0,5
70	2451	1124	400	381	2924257	13,4	2924264	6,7	2924271	3,4	2924280	0,4	2924272	5,4	2924273	0,5

★ Includes maximum allowable gap.

† Using Leg Kit 2924272.

Type LSG Aluminum Guards

Line Shaft Guard/Dimensions



Notes:

- Non-sparking aluminum components (guard and end caps).
- Safety labels and fasteners are optional and can be ordered separately.
- Nominal material thickness is .080" (2.03mm) Sizes 10 & 20, .125" (3.18mm) Sizes 30–70.
- Powder coated guards can be painted.
- Guard can be machine mounted, or floor mounted, using optional Leg Kit 2924272 (galvanized steel).

Guard Dimensions — Inches

Guard Size	A	C	D	H	K	M	U 1	U 2
10	96.00	37.50	3.00	5.00	.25	1.00	1.50	2.00
20	96.00	38.50	5.00	7.00	.25	1.00	2.25	4.00
30	96.00	39.50	7.00	10.00	.31	1.00	5.00	6.00
40	96.00	40.50	9.00	12.00	.31	1.00	6.00	7.50
50	96.00	41.50	11.00	14.00	.31	1.00	7.50	9.00
60	96.00	42.50	13.00	16.00	.31	1.00	7.50	10.00
70	96.00	44.25	16.50	19.50	.31	1.00	9.00	12.00

Guard Dimensions — Millimeters

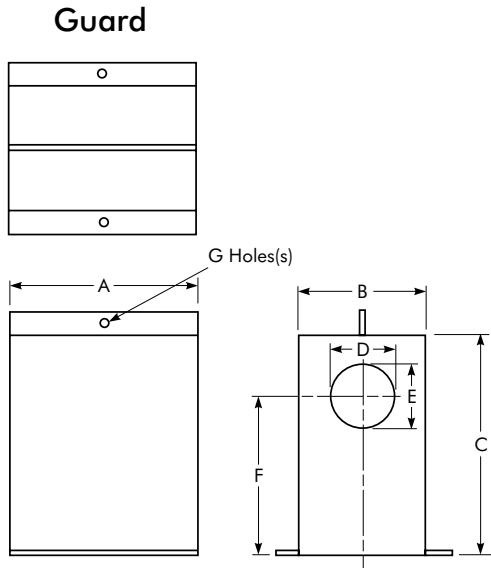
Guard Size	A	C	D	H	K	M	U 1	U 2
10	2438	953	76	127	6	25	38	51
20	2438	978	127	178	6	25	57	102
30	2438	1003	178	254	8	25	127	152
40	2438	1029	229	305	8	25	152	191
50	2438	1054	279	356	8	25	191	229
60	2438	1080	330	406	8	25	191	254
70	2438	1124	419	495	8	25	229	305

Type VCG Metal Guards

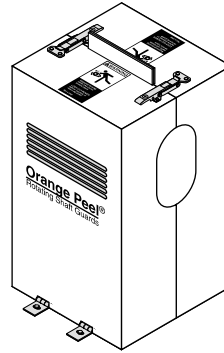
Volume Custom-Coupling Guard/Quote Request Form

Fax to Falk at 414-937-4359

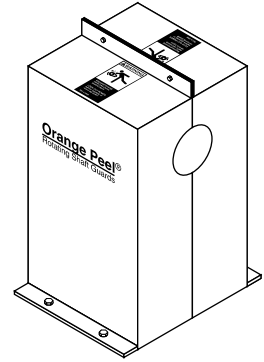
Date:



Optional Features



Standard



Type VCG Description: (2 Symmetrical Halves)

AxBxC-DxE-F-G/H/I/J/K/L/M

0.00x0.00x0.00-0.00x0.00-0.00-.000/X/X/X/X/X/X

PN:VCG

H

- Steel
 - Stainless Steel
 - Aluminum
- I**
- Unpainted
 - Safety Orange
 - Safety Yellow

J

- No Safety Label
- ANSI Safety Label
- ISO Safety Label

K

Optional Cooling/Inspection Vent

L

Optional SS Base Hinge(s)

M

Optional SS Locking Lasp(s)

Circle Material

- ST
 - SS
 - AL
- UP
- SO
- SY
- NS
- AS
- IS
- IV
- BH
- LL

- 0-8" **A** = 16 Gauge w/1-.270" **G** Hole (1/4" or 6mm fasteners)
- 8-16" **A** = 16 Gauge w/2-.334" **G** Hole (5/16" or 8mm fasteners)
- 16-36" **A** = 14 Gauge w/3-.334" **G** Hole (5/16" or 8mm fasteners)
- 36-48" **A** = 12 Gauge w/4-.334" **G** Hole (5/16" or 8mm fasteners)

Fill in Dimensions:

A _____ **D** _____

B _____ **E** _____

C _____ **F** _____

Quantities = _____, _____, _____ guards

Minimum 5/Shipment 3-4 Weeks/FOB Falk

From:

Name: _____

Company: _____

Address: _____

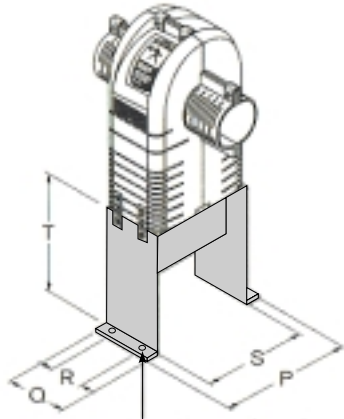
Phone: _____

Fax: _____

E-mail: _____

Purchaser must determine guard suitability for the intended application (guards suitable for non-catastrophic containment). Guard must be installed to maintain maximum gaps/safe distances as specified in ANSI/ASME B15.1-2000.

Guard Options



Holes For .31 (8mm) Dia Bolts
(4 - Size 30-50)
(6 - Size 60 & 70)

High Base

- The High Base will elevate the guard by dimension "T" below.
- High Base construction is Powder Coated Steel.

Type CCG, CFCG, and SCG Optional High Base

Dimensions — Inches

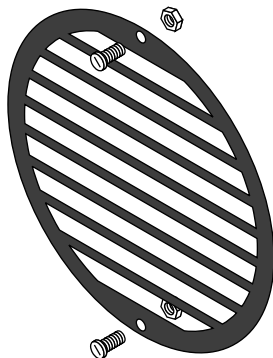
Guard Size	P	Q	R	S	T	Part Number	Wt lb
30	18.00	8.00	3.88	15.50	12.00	2924281	11
40	21.50	10.50	6.00	19.25	15.00	2924282	20
50	26.50	13.25	7.38	23.25	18.00	2924283	34
60	28.85	18.00	13.00	26.85	20.00	2924284	59
70	36.85	23.00	18.00	34.85	22.00	2924285	109

Dimensions — Millimeters

Guard Size	P	Q	R	S	T	Part Number	Wt kg
30	441	203	99	394	305	2924281	5.0
40	546	267	152	489	381	2924282	9.1
50	673	337	187	591	457	2924283	15.4
60	733	457	330	682	508	2924284	26.8
70	936	584	457	885	559	2924285	49.4

Inspection Port Kit

Flat black stainless steel Inspection Port adds visual, strobe, or infrared inspection to any existing guard. Is is simply added by using a hole saw and the supplied fasteners.

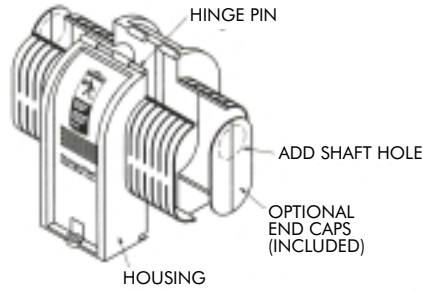
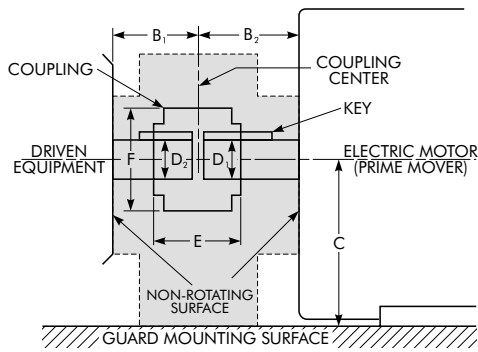


Part #2923662 2.0"/50mm Guard Sizes 10-20
Part #2923663 3.5"/90mm Guard Sizes 30-70
Weight = 0.3 lb (0,14 kg)

Type MCG Polyethylene Guards - NEMA Motor Quick Selections

Quick selections are based on the manufacturer's catalog; close-coupled coupling diameter & width, with straight bored hubs. Verify all selection dimensions. **Maximum RPM is 3600.**

Check B, C, D, E, & F Selection Dimensions:

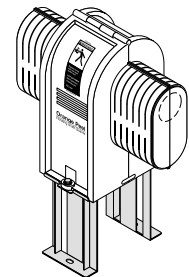
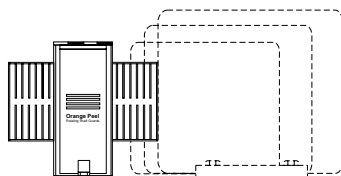


Guards are supplied with molded ISO safety labels. ISO & ANSI decals are also available. (2924286, 2924292)

Features: Standard polyethylene guards provide safety compliance, economy, and maintenance convenience. By trimming the guard extensions, MCG Coupling Guards can accommodate a wide range of equipment and shaft coupling types.

Frame	Motor:		Guard Selection		Dimensions – Inches / Coupling Size							Optional Riser		
	Shaft Dia	C	ANSI Safety Orange Part Number	Sanitary White Part Number	B Max	B Min	C Max	C Min	D Max	E Max	F Max	Height	Part Number	
48	0.500	3.00	2924200	2924206	4.25	2.00	5.25	3.00	1.38	3.50	4.00	1.50	2924218	
56	0.625	3.50	Size 05	Falk Wraoflex	Sizes:	5R						3.00	2924221	
143T	0.875	3.50		Falk Steelflex	Sizes:	1020	1030					4.50	2924274	
145T	0.875	3.50		Loveiov Jaw	Sizes:	70	75	90	95	99	100	1.50	2924227	
182T	1.125	4.50		Woods Sureflex	Sizes:	3	4	5	6			3.00	2924230	
184T	1.125	4.50		Martin Chain	Sizes:	4012	4016					4.50	2924233	
213T	1.375	5.25												
215T	1.375	5.25												
182T	1.125	4.50		2924201	2924207	6.25	2.91	7.50	4.50	2.13	5.00	6.38	2.00	2924219
184T	1.125	4.50	Size 15	Falk Wraoflex	Sizes:	10	20					4.00	2924222	
213T	1.375	5.25		Falk Steelflex	Sizes:	1040	1050	1060				6.00	2924225	
215T	1.375	5.25		Loveiov Jaw	Sizes:	110	150	190				2.00	2924228	
254T	1.625	6.25		Woods Sureflex	Sizes:	7	8	9				4.00	2924231	
256T	1.625	6.25		Rexnord Viva	Sizes:	110	125	130				6.00	2924234	
284T	1.875	7.00		Martin Chain	Sizes:	5016	5018	6018	6020					
284TS	1.625	7.00		AGMA Gear	Sizes:	10	15							
286T	1.875	7.00												
286TS	1.625	7.00												
284T	1.875	7.00		2924202	2924208	9.25	4.19	11.50	7.00	3.88	7.25	9.63	3.00	2924220
284TS	1.625	7.00	Size 25	Falk Wraoflex	Sizes:	30	40					6.00	2924223	
286T	1.875	7.00		Falk Steelflex	Sizes:	1070	1080	1090				9.00	2924226	
286TS	1.625	7.00		Loveiov Jaw	Sizes:	225	226					3.00	2924229	
324T	2.125	8.00		Woods Sureflex	Sizes:	10	11					6.00	2924232	
324TS	1.875	8.00		Rexnord Viva	Sizes:	170	190	215	245			9.00	2924235	
326T	2.125	8.00		Martin Chain	Sizes:	6022	8018	8020	10018					
326TS	1.875	8.00		AGMA Gear	Sizes:	20	25	30						
364T	2.375	9.00												
364TS	1.875	9.00												
365T	2.375	9.00												
365TS	1.875	9.00												
404T	2.875	10.00												
404TS	2.125	10.00												
405T	2.875	10.00												
405TS	2.125	10.00												
444T	3.375	11.00												
444TS	2.375	11.00												
445T	3.375	11.00												
445TS	2.375	11.00												
447T	3.375	11.00												
447TS	2.375	11.00												

Guard with Motor Frame Sizes

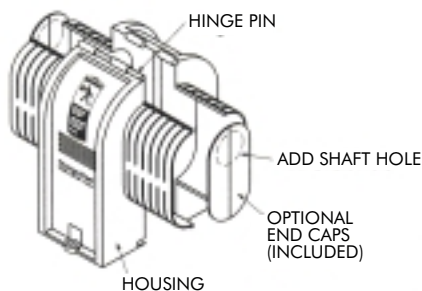
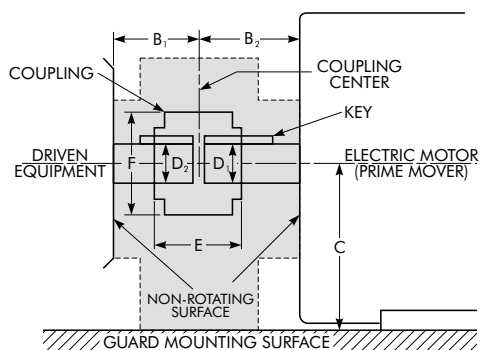


See guard selection page for larger motor frames.

Type MCG Polyethylene Guards - IEC Motor Quick Selections

Quick selections are based on the manufacturer's catalog; close-coupled coupling diameter & width, with straight bored hubs. Verify all selection dimensions. **Maximum RPM is 3600.**

Check B, C, D, E, & F Selection Dimensions:

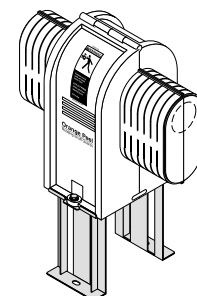
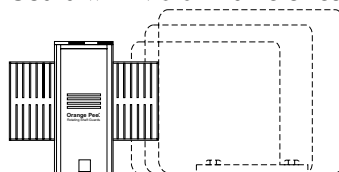


Guards are supplied with molded ISO safety labels. ISO & ANSI decals are also available. (2924286, 2924292)

Features: Standard polyethylene guards provide safety compliance, economy, and maintenance convenience. By trimming the guard extensions, MCG Coupling Guards can accommodate a wide range of equipment and shaft coupling types.

Motor			Guard Selection		Dimensions – Inches / Coupling Size							Optional Riser							
Frame	Shaft Dia	C	ANSI Safety Orange Part Number	Sanitary White Part Number	B Max	B Min	C Max	C Min	D Max	E Max	F Max	Height	Part Number						
71	14	71	2924203	2924206	108	51	133	71	38	89	102	38	2924218						
80	19	80	Size 05	Falk Wraoflex	Sizes:	5	1030	24	28	89	102	76	2924221						
90S	24	90		Falk Steelflex	Sizes:	1020						114	2924224						
90L	24	90		KTR Curved Jaw	Sizes:	14						19	38	2924277					
100L	28	100		Woods Sureflex	Sizes:	3						4	5	6	76	2924230			
112M	28	112		Flender N-Eupex	Sizes:	68						80	95	100	114	2924233			
132S	38	132																	
132M	38	132																	
112M	28	112	2924204	2924207	159	74	191	112	55	127	162	51	2924219						
132S	38	132	Size 15	Falk Wraoflex	Sizes:	10	20	1060	160	127	162	102	2924222						
132M	38	132		Falk Steelflex	Sizes:	1040	1050					152	2924275						
160M	42	160		KTR Curved Jaw	Sizes:	38	42					51	2924228						
160L	42	160		Woods Sureflex	Sizes:	7	8					9	102	2924231					
180M	48	180		Flender N-Eupex	Sizes:	110	125					140	160	152	2924234				
180L	48	180		Rexnord Viva	Sizes:	110	125					130							
200L	55	200		Flender Gear	Sizes:	1	1.5												
180M	48	180	2924205	2924208	235	106	292	178	100	184	245	76	2924220						
180L	48	180	Size 25	Falk Wraoflex	Sizes:	30	40	1090	245	184	245	152	2924223						
200L	55	200		Falk Steelflex	Sizes:	1070	1080					229	2924226						
225S	60	225		KTR Curved Jaw	Sizes:	48	55					65	76	2924229					
225M	60	225		Woods Sureflex	Sizes:	10	11					152	2924232						
250M	70	250		Flender N-Eupex	Sizes:	180	200					225	229	2924235					
280S	75	280		Rexnord Viva	Sizes:	170	190					215							
280M	75	280		Flender Gear	Sizes:	2	2.5					3							
315S	80	315																	
315M	90	315																	
355M	100	355																	
355L	100	355																	
400M	100	400																	
400L	100	400																	
			Add Riser																

Guard with Motor Frame Sizes



See guard selection page for larger motor frames.

Type CCG Close-Coupled Coupling Guard - Quick Selections

Quick selections are based on the manufacturer's catalog; close-coupled coupling diameter & width. Verify all selection dimensions. **Maximum RPM is 3600.** Numbers in parenthesis () are in Millimeters.

Guard Size	B Min-Max	C Max	D ▲ Max	AGMA Gear Cplg Size	Falk Steelflex Grid Size	Falk Wrapflex Elastomer Size	Falk Freedom Disc Size	Rexnord Omega Tire Size	Lovejoy Straight Jaw Size	Woods Sureflex Elastomer Size	Dodge Paraflex Tire Size	KTR Curved Jaw Size	Flender N-Eupex Elastomer Size				
10	2.00-4.75 (51-212)	8.00 (203)	1.63 (41)		1020	5		2	35	3		14	58				
					1030				50					4	19	68	
									70					5	24	80	
									75					6		95	
									90							110	
									95								
20	2.75-6.25 (70-159)	11.00 (279)	2.13 (54)	1 1 1/2 2	1040	10	20	3	110	7	50	28	125				
					1050				150					8	38	140	
									190						42	160	
30	4.00-9.25 (102-235)	13.50 (343)	3.00 (76)	2 1/2	1060	30	40	30	225	9	80	48	180				
					1070									40	50	40	55
					1080											50	65
40	5.25-11.75 (133-298)	16.50 (419)	4.00 (102)	3 3 1/2	1090	50	60	60	280	12	120	75	225				
														70	70	285	90
														85		295	250
																	280
50	6.63-13.75 (168-349)	19.50 (495)	5.00 (1.27)	4 4 1/2	1100	60	95	80		14	160	100	315				
					1110									70	105	110	350
					1120												

Type CFCG Close-Coupled/Fluid Coupling Guard - Quick Selections

Quick selections are based on the manufacturer's catalog; close-coupled coupling diameter & width. Verify all selection dimensions. Some coupling hubs protrude into the guard extensions based on Dmax w/o key. **Maximum RPM is 3600.** Numbers in parenthesis () are in Millimeters.

Guard Size	B Min-Max	C Max	D ▲ Max	AGMA Gear Cplg Size	Falk Steelflex Grid Size	Falk Wrapflex Elastomer Size	Falk Freedom Disc Size	Rexnord Omega Tire Size	Lovejoy Straight Jaw Size	Woods Sureflex Elastomer Size	Dodge Paraflex Tire Size	Flender Rupex Pin/Bush Size	Voith/Falk * (All Types) Fluid Size							
30	4.00-11.25 (102-286)	13.50 (343)	4.50 (114)	2 2 1/2	1060	30	40	20	225	9	70	198	185							
					1070									40	50	30	226	80	228	
					1080											40	276	90		
					1090											50	280	100		
																	110			
40	5.25-14.50 (133-368)	16.50 (419)	6.00 (152)	3 3 1/2	1100	50	60	60	285	12	120	252	206/235							
					1110									70	70	295	13	140	285	274/270
					1120											2955	14		320	
																3067				
50	6.63-17.88 (168-454)	19.50 (495)	7.75 (197)	4 4 1/2	1130	60	85	80	3567	16	160	360	320/320							
														70	95	3667	400	366/370		
60	9.00-22.25 (229-565)	22.00 (559)	9.50 (241)	5 5 1/2 6	1140	80	105	100	4067			200	450	422/420						
					1150										115	125	4567	500	487/480	
					1160															
70	11.50-28.25 (292-718)	24.50 (622)	12.00 (305)	7 8	1170			120			240	560	562/584							
					1180									140			630	650/660		
					1190												710			

▲ D max includes with key. Add a pedestal/base if C max is too short. Selections are based on straight bored hubs, except Dodge Paraflex, which are with bushings. Rexnord Omega selections are with inboard hubs.

* Excludes Falk Type HF26; refer to Falk.

Type SCG Spacer Coupling Guard - Quick Selections

Quick selections are based on the manufacturer's catalog; close-coupled coupling diameter & width. Verify all selection dimensions. **Maximum RPM is 3600.** Numbers in parenthesis () are in Millimeters.

Guard Size	B Min-Max	C Max	D ♦ Max	AGMA Gear Cplg Size	Falk Steelflex Grid Size	Falk Wrapflex Elastomer Size	Falk Freedom Disc Size	TB Woods Sureflex Elastomer Size	Rexnord Series 71 Disc Size	Rexnord Omega Tire Size	Kopflex KD 2 Disc Size	Dodge Paraflex Tire Size	Flender N-Eupex Elastomer Size	
30	4.00-15.25 (102-387)	13.50 (343)	9.50 (241)	2	1050	30	50	9	350	20	153	60	160	
				2 1/2	1060	40	60	10	375	30	203	70	180	
				3	1070	50	70	11	412	40	253	80	200	
					1080	60	85	12	462	50	303	90	225	
					1090							100	110	
40	5.25-18.50 (133-470)	16.50 (419)	11.50 (292)	3 1/2	1100		95	13	512	60	353	120	250	
					1110		105	14	562	70				280
50	6.63-23.38 (168-594)	19.50 (495)	15.00 (381)	4	1120		115		600	80	403		315	
				4 1/2	1130		125		712		453			350
					1140									

♦ D max is without key. Add a pedestal/base if C max is too short. Selections are base on straight bored hubs.

Safety Labels



ANSI 535.4



ISO 3864

Size	Description	ANSI Part Numbers ▲	ISO Part Numbers ▲
1.88" x 3.75"/48 x 95mm	Vertical Safety Label-Coupling & Shaft	2924286	2924292
1.88" x 3.75"/48 x 95mm	Vertical Safety Label-Belt & Chain	2924287	2924293
3" x 6"/75 x 150mm	Vertical Safety Label-Coupling & Shaft	2924288	2924294
3" x 6"/75 x 150mm	Vertical Safety Label-Belt & Chain	2924289	2924295
6" x 3"/150 x 75mm	Horizontal Safety Label-Coupling & Shaft	2924290	2924296
6" x 3"/150 x 75mm	Horizontal Safety Label-Belt & Chain	2924291	2924297

▲ Also available in packs of 100.

Spare Hardware

Type/Size	Description	Part Number
Type CCG, Sizes 10-20	6mm Stainless Steel Fastener Kit	2924298
Type CCG, Sizes 30-50	8mm Stainless Steel Fastener Kit	2924299
Type CFCG, Sizes 30-70	8mm Stainless Steel Fastener Kit	2924300
Type SCG, Sizes 30-50	5/16" Aluminum Fastener Kit	2924301
Type CCG, Sizes 10-20	Stainless Steel Clip Kit	2924302
Type CCG, Sizes 30-50	Stainless Steel Clip Kit	2924303
Type CCG, Sizes 10-20	Stainless Steel Hinge Kit	2924304
Type CCG, Sizes 30-50	Stainless Steel Hinge Kit	2924305

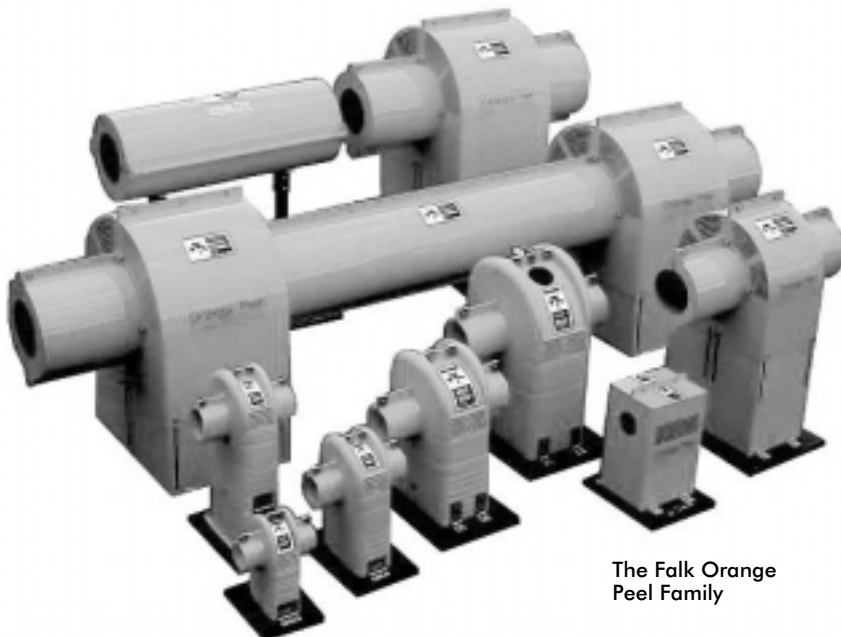
Model–Series Description

Orange Peel Guard Nomenclature

<u>CCG</u>	<u>20</u>	<u>00</u>	<u>A</u>	<u>OA</u>
TYPE	SIZE	CODE	MODEL	CHARACTERISTICS
MCG (Motor Coupling guard) PCG (Pump Coupling Guard) CCG (Close-Coupled Coupling Guard) CFCG (Close-Coupled/Fluid Coupling Guard) SCG (Spacer Coupling Guard) LSG (Line Shaft Guard) BSG (Belt/Sheave Guard) CSG (Chain/Sprocket Guard)	05 Thru 80	00 (Guard) 01-24 25-74 (Pedestal, Base, Riser, Leg) 75-99 (Extension, End Cap)	A, B, etc. S (Special)	OA (Orange/ANSI) YI (Yellow/ISO) WA (White/ANSI) 7L (Long) M (Medium) S (Short)

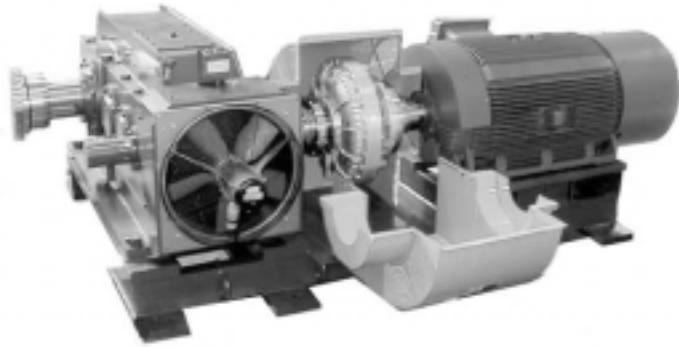
Orange Peel Guard Accessories Nomenclature

<u>RSG</u>	<u>0001</u>	<u>A</u>	<u>EN</u>
TYPE	CODE	MODE	CHARACTERISTICS
RSG (Rotating Shaft Guard-Accessory/Part)	0001-0019 (Safety/Logo Labels) 0020-0039 Hinges 0040-0059 Clips/Splices 0060-0079 Fasteners 0080-0099 Packaging 0100-0159 Literature 0160-0179 Inspection Ports 0180-9999 Open	A, B, etc. S (Special)	EN (English)

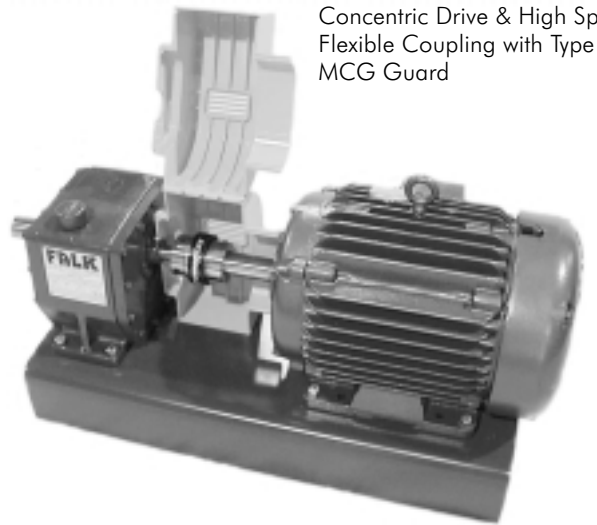


The Falk Orange Peel Family

Orange Peel Guards at Work



Parallel Shaft Drive & High Speed Fluid Coupling with Type CFCG Guard



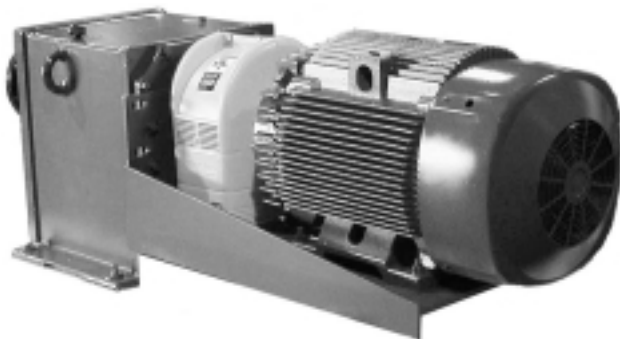
Concentric Drive & High Speed Flexible Coupling with Type MCG Guard



Gearmotor & Low Speed Coupling with Type MCG Guard



Shaft-Mounted Drive & High Speed Coupling with Type CFCG Guard



Concentric Drive & High Speed Coupling with Type CCG Guard

Find out more about **FALK**

falkcorp.com

or CALL

THE FALK CORPORATION

Plant Locations

Main

P.O. Box 492 Zip 53201-0492
3001 W. Canal Street
Zip 53208-4200

Milwaukee, WI USA
Phone: 1-800-852-FALK (3255) or
414-342-3131
FAX: 414-937-4359
E-mail: falkinfo@falkcorp.com
Internet: www.falkcorp.com

Falk Capitol Drive
12001 West Capitol Drive
Milwaukee, WI 53222-1003
414-438-3031
FAX: 414-438-3049

Falk Auburn
1600 Pumphrey Ave.
Auburn, AL 36832
334-321-9120
FAX: 334-821-9103

Falk Renew
1903 South Moorland Blvd
New Berlin, WI 53151
262-317-1420
FAX: 262-317-1428

Falk Australia Pty.
34-36 Broadmeadow Rd
Broadmeadow, NSW 2294
61-2-4962-8000
FAX: 61-2-4962-8001

Global Sales Offices

United States

Atlanta, GA
334-728-0747

Birmingham, AL
205-661-3933

Baltimore, MD
410-666-3537

Charleston, WV
304-595-1394

Charlotte, NC
704-531-9250

Chicago, IL
847-677-6492

Cincinnati, OH
513-563-9699

Cleveland, OH
330-528-1557

Dallas, TX
469-556-7313

Denver, CO
303-980-5131

Detroit, MI
248-969-2553

Houston, TX
281-477-9570

Kansas City, KS
913-685-3254

Memphis, TN
901-309-0340

Miami, FL
954-436-6055

Milwaukee, WI
262-646-4346

Minneapolis, MN
763-522-0994

New Orleans, LA
504-832-1448

Northeast
860-355-0478

Northwest
360-546-3411

Omaha, NE
402-896-4520

Phoenix, AZ
480-460-7188

Pittsburgh, PA
412-563-1754

Rochester, NY
585-223-5205

St. Louis, MO
636-256-7600

Salt Lake City, UT
801-268-4419

Tampa, FL
941-358-1045

Victorville, CA
760-401-0749

Canada

Calgary, AB
403-225-6630

Montreal, PQ
514-631-2163

Toronto, ON
416-674-0346

Vancouver, BC
604-946-8506

Latin America

Mexico, D.F.
52-5-333-2500

Santiago, Chile
56-2-231-5647

Sao Paulo, Brazil
55-11-882-1000

Europe

Brighthouse, United Kingdom
44-1484-401872

Asia/Pacific

Korea
82-42-603-5644

Newcastle, Australia
61-2-4962-8000

Perth, Australia
61-8-9414-7800

Shanghai, China
86-21-6219-6847

Singapore
65-444-0388

Taiwan
886-7-556-0263

Distribution Centers

Auburn, AL
PH 334-821-9100
FAX 414-937-4003

Doncaster, United Kingdom
PH 44-1484-401872
FAX 44-1484-401341

Milwaukee, WI
PH 414-342-3131
FAX 414-937-4359

Sacramento, CA
PH 877-937-6744
FAX 414-937-4444

Toronto, ON
PH 416-675-6071
FAX 416-213-1020